



# Cool

**INSTALLAZIONE E MANUTENZIONE  
INSTALLATION AND MAINTENANCE  
INSTALLATION UND INSTANDHALTUNG  
INSTALLATION ET ENTRETIEN  
INSTALACIÓN Y MANTENIMIENTO  
INSTALAÇÃO E MANUTENÇÃO  
INSTALARE ŞI INTRETINERE  
INSTALACJA I OBSŁUGA  
INSTALACE A ÚDRŽBA  
УСТАНОВКА И ТЕХ. ОБСЛУЖИВАНИЕ  
التركيب والصيانة**

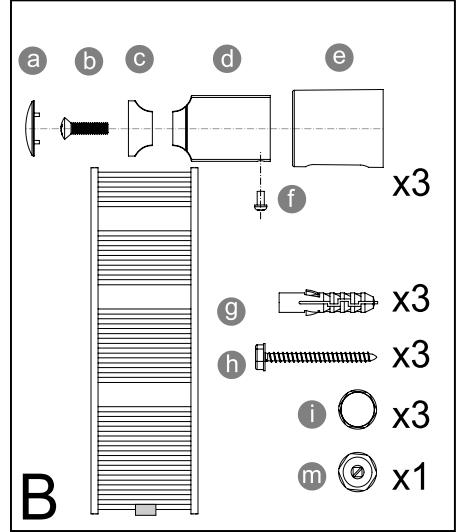
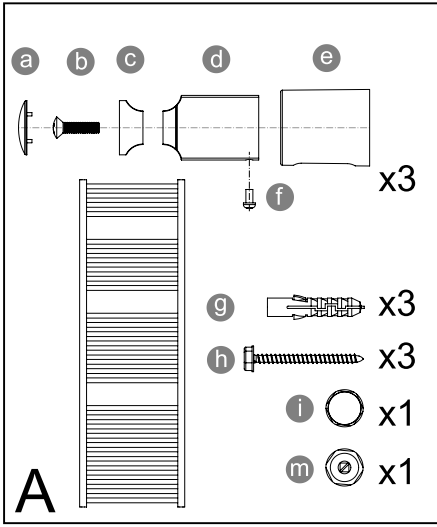


fig./Abb./rys./obr./pic./شكل 1

fig./Abb./rys./obr./pic./شكل 2

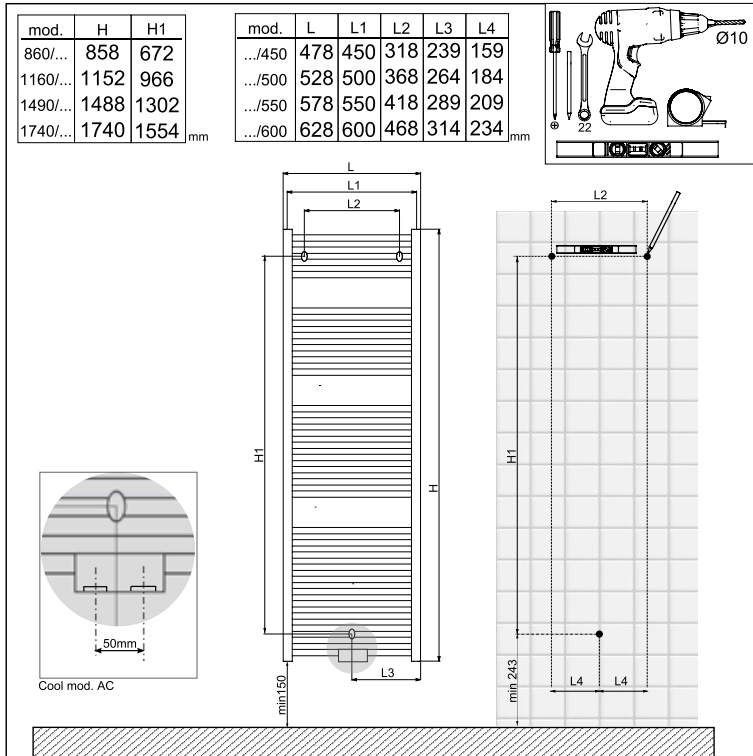


fig./Abb./rys./obr./pic./شكل 3

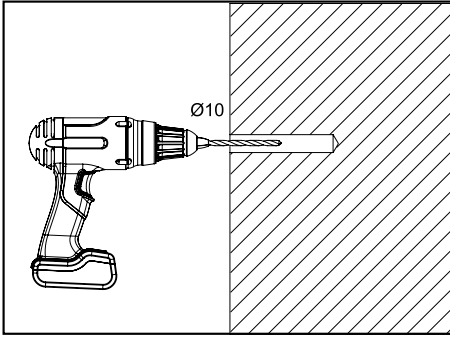


fig./Abb./rys./obr./рис./ شکل 4

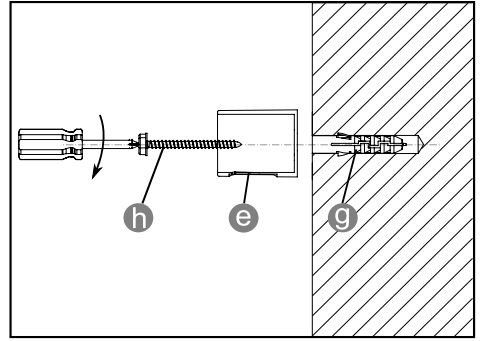


fig./Abb./rys./obr./рис./ شکل 5

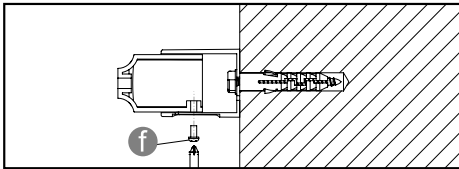
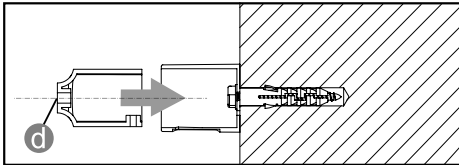


fig./Abb./rys./obr./рис./ شکل 6a - 6b

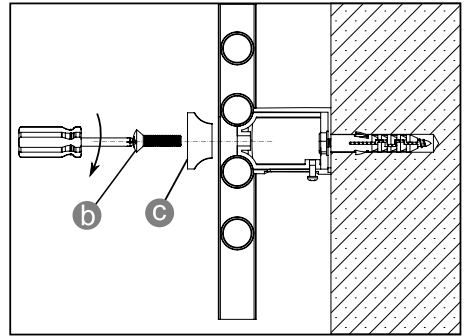


fig./Abb./rys./obr./рис./ شکل 7

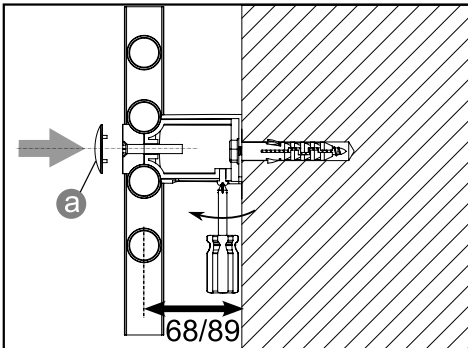


fig./Abb./rys./obr./рис./ شکل 8

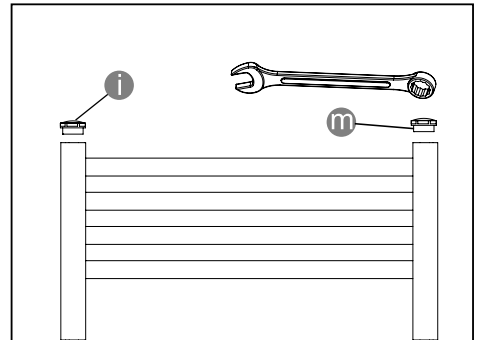


fig./Abb./rys./obr./рис./ شکل 9

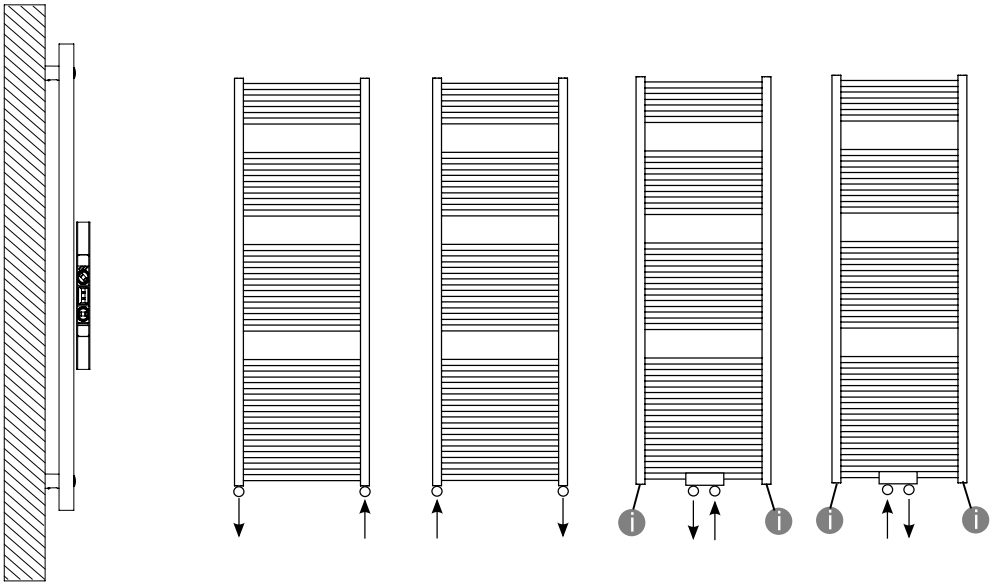
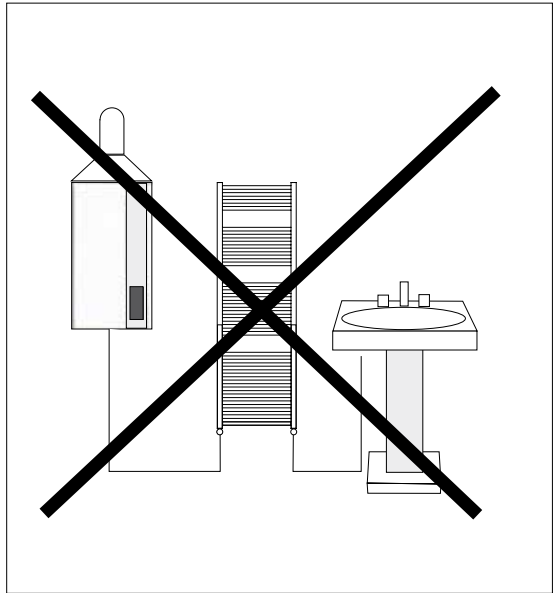


fig./Abb./rys./obr./рис./ شکل 10



To the user and installer,

Thank you for choosing one of our products. Please read the following notes carefully. The installer must leave one copy of this booklet to the user.

These radiators are guaranteed against manufacturing defects for 12 years as from the date of purchase or installation. The actual date is the one specified on the purchase document or the declaration of conformity of the system issued by the installer.

Under the guarantee, any radiators found to have manufacturing defects will be replaced, and compensation will be paid for any injury to persons or damage to property.

The radiators must be installed by a properly qualified staff in compliance with the relevant laws in force and the rules of good workmanship.

The instructions for installation, use and maintenance set out below and in our technical and commercial documentation must be followed carefully.

Clearly faulty radiators must be rejected prior to installation.

## INSTALLATION

Points to be borne in mind during installation.

- These radiators can be used in hot water and steam systems up to 120 °C.
- The maximum operating pressure is 16 bar (1600 kPa).
- The following distances must be respected when installing the radiators:
  - at least 15 cm from the floor
  - at least 10 cm from the alcove or shelf.
- Each radiator must have an air breather valve, supplied with it.
- The water in the heating system must have a pH value of 6.5-8.5 at 25 °C and must be treated with products suitable for multi-metal systems, with reference to standards in force in the country of installation. Only specific products must be used, such as, but not limited to, CILLIT HS 23 Combi, SENTINEL X100 or FERNOX F1.
- The guarantee is not valid if the radiator is used with water that corrodes the metals used.
- Always use the original O-rings supplied standard with the caps.

## INSTRUCTIONS FOR INSTALLATION

The radiators must be fixed onto the wall using the installation kit provided with them.

For a correct installation, follow the sequence indicated in the figures on the first pages of this manual.

**Important: It is forbidden to connect the radiator on the domestic hot water circuit.**

## USE AND MAINTENANCE

Bear in mind the following when using the radiator.

- If the radiator is covered with a towel or the like, the drop in heat emission will be proportional to the thickness of the covering.
- Never use abrasive products to clean the outer surface.
- Do not shut the radiator off by closing the valves completely.
- Never use radiators as a hand support
- If you find you have to bleed the radiator frequently, this means the heating system is malfunctioning. Contact your local plumber or the installer.